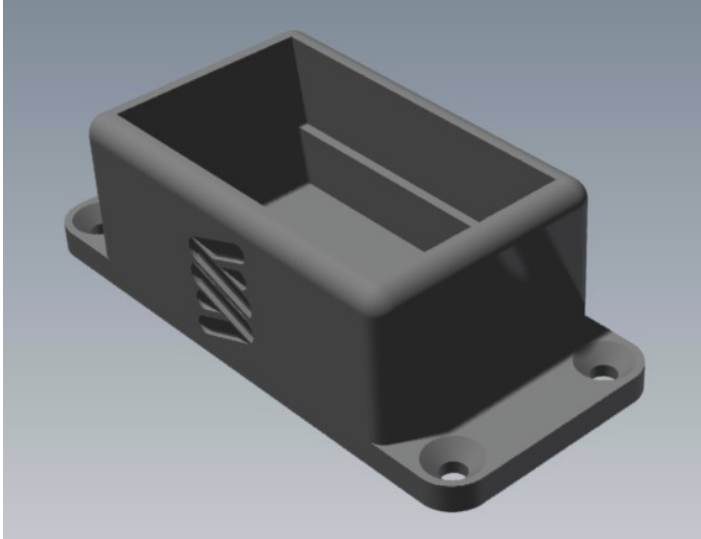


05-01-9002 Nautilus PSU Assembly



- Power Supply Optimised for Nautilus Acoustics on Tail/Head Buoy
- 48V Fixed
- 50 Watts Power
- 97% Efficiency (Cool operation)
- 8-30V Input (suitable for 12 or 24V Tailbuoy Systems)

Wiring:

Terminated with 300mm Leads

RED = Input + (20 AWG)
 BLACK = Input 0V (20 AWG)

YELLOW = Output +48V (26AWG)
 PURPLE = Output 0V (26AWG)

Dimensions:

Length 112mm
 Width 50mm
 Height 35mm

Weight: 145 g

Material:

ABS Body
 Polyurethane Encapsulation

